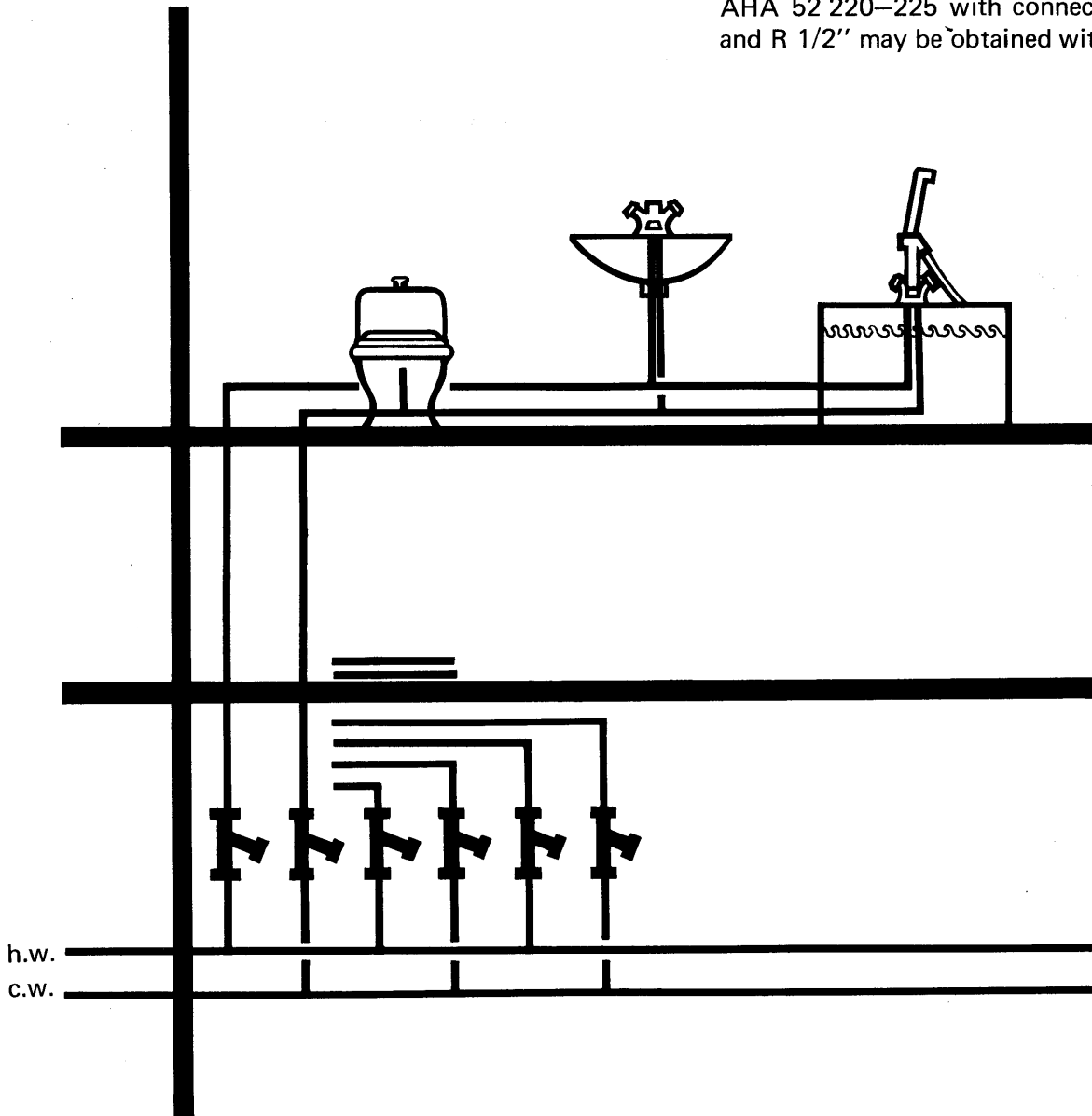


This sheet contains various examples of installations where the valves in the AHA Trim programme bring a distinct improvement in the efficiency and operational reliability of the plant.

Trim valves are manufactured with all parts coming into contact with water in Ametal, which means complete corrosion resistance. The noise level is remarkably low. Presetting can be carried out with a high degree of accuracy. All types except AHA 52 210 can be fitted with the Kombi compression coupling.

Trim with knob

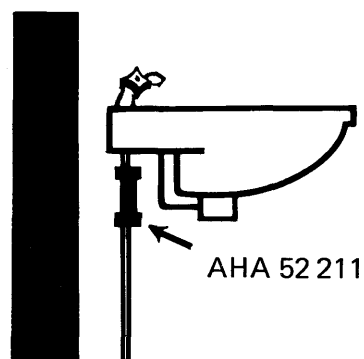
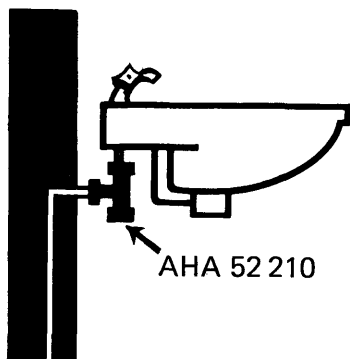
AHA 52 220–225 with connection threads R 3/8" and R 1/2" may be obtained with a knob.



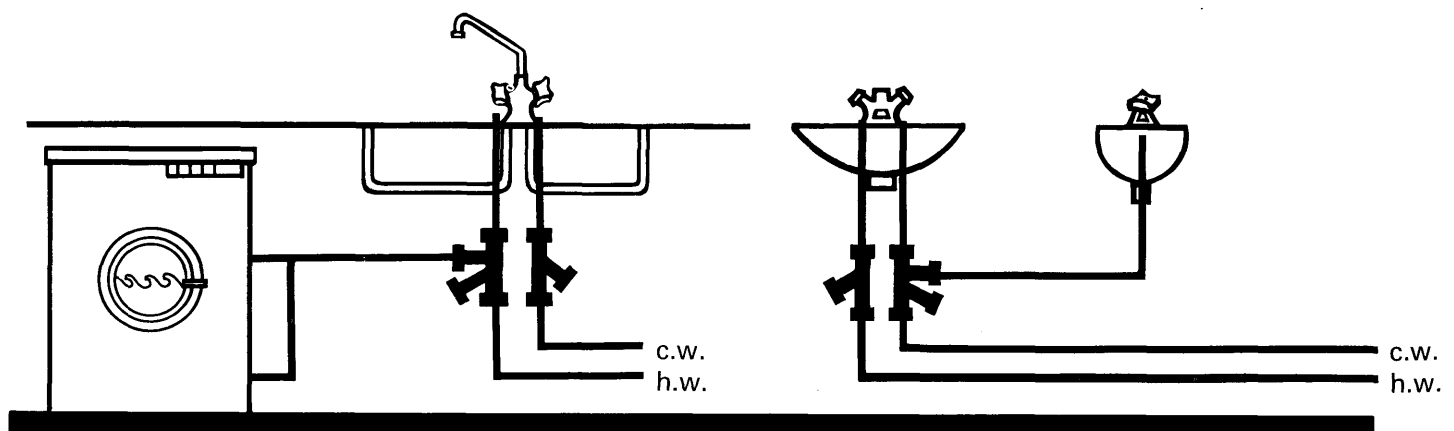
**TRIM** – fitted in thin-walled pipe systems with the mains laid in cellar roofs

Suitable Trim types: AHA 52 219, 52 221, 52 222, 52 229.





**TRIM** – fitted directly on to wash basin  
Suitable Trim types: AHA 52 210 and 52 211.



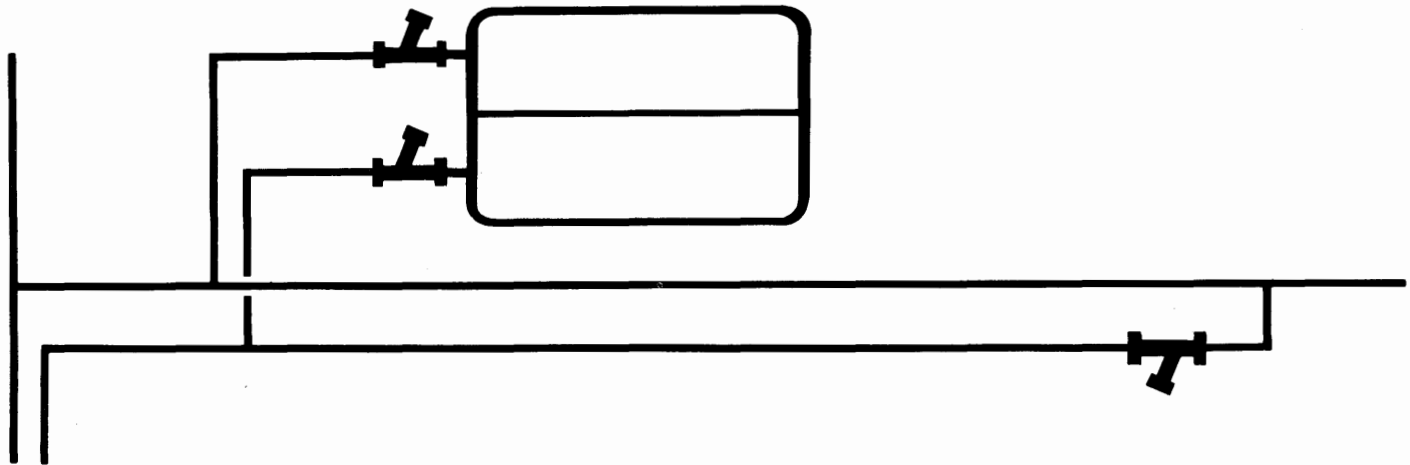
**TRIM** – fitted for connection to extra tap point

Suitable Trim types: AHA 52 230, 52 231, 52 232.

The left-hand illustration gives an example of connection to (future) dish washing or washing machine.

The right-hand illustration gives an example of connection with branch pipe to gurgler bowl.

In both examples the c.w. pipe has also been fitted with a Trim valve.

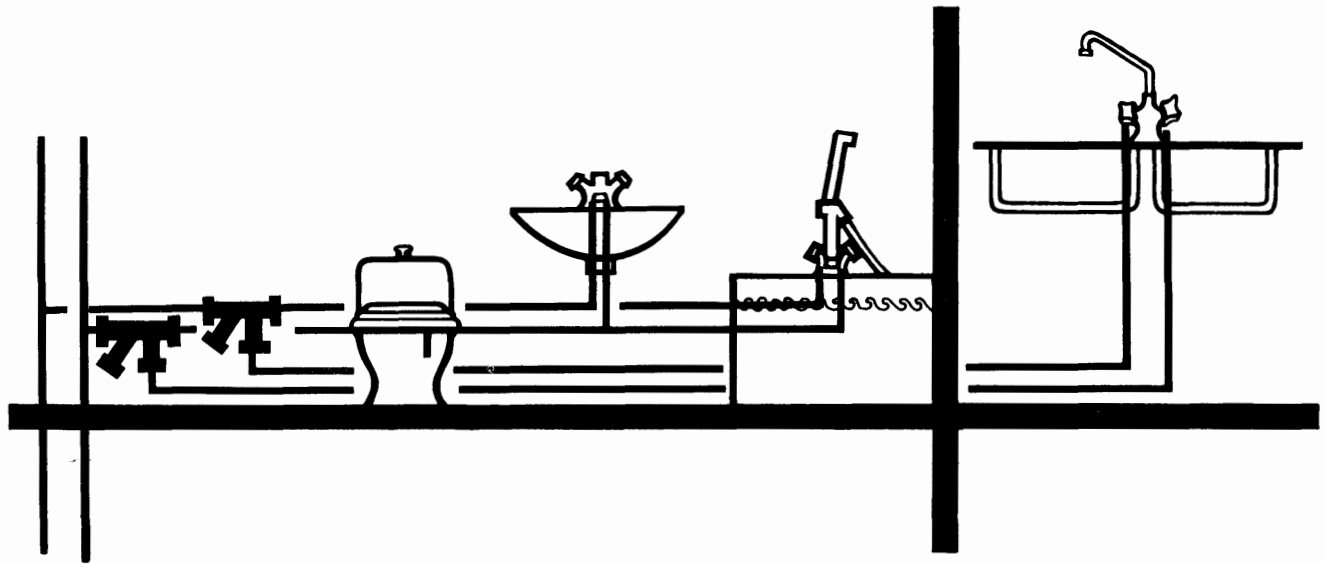


h.w. hot waber  
circulation

**TRIM** – fitted on towel drier  
and on VVC pipe

Suitable Trim types:

- On towel drier: AHA 52 228, 52 229.
- On the VVC pipe: AHA 52 220, 52 221, 52 222.



h.w. c.w.

**TRIM** – as distributor

Suitable TRIM types:  
AHA 52 231 and 52 232.