

TA-NV24, TA-NVG24

High performance proportional actuator



TA

Pressurisation & Water Quality › Balancing & Control › Thermostatic Control

ENGINEERING ADVANTAGE

A proportional actuator with automatic stroke adaptation, which, when used together with pressure independent control valves KTM 512 DN 65 and above, provides accurate modulating control.

> **Position indicator**

For straightforward maintenance.

> **Manual operation**

Enables easy troubleshooting.

> **Simple attachment**

Simple attachment to the neck of the valve by means of a clamping strap.



> Technical description

Applications:

For modulating control (0-10V). 3-point control also possible.

Supply voltage:

24V AC \pm 20%, 50-60Hz
24V DC -10% +20%

Power consumption:

3 W

Control voltage:

DC 0-10V @ 100k Ω

Control speed:

7,5 s/mm

Adjusting force:

TA-NV24:
1000 N (closing force)
800 N (blocking force)
TA-NVG24:
1600 N (closing force)
1600 N (blocking force)

Temperature:

Operation:

Max. ambient temperature: 50°C

Min. ambient temperature: 0°C

Storage:

Max. ambient temperature: 80°C

Min. ambient temperature: -40°C

Enclosure class:

IP 54

Cable:

Connection cable: 5 x 0,75 mm². The cable is stripped 50 mm and each wire is isolated.

Cable length: 1 m

Stroke:

20 mm

Connection to valve:

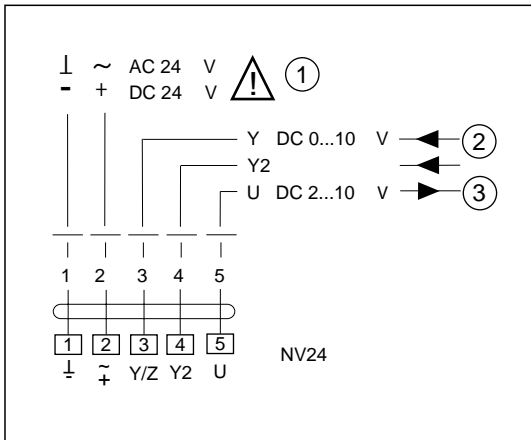
Bracket with U-bolt and sprung retention clip.

Marking:

Label with TA and technical specification.

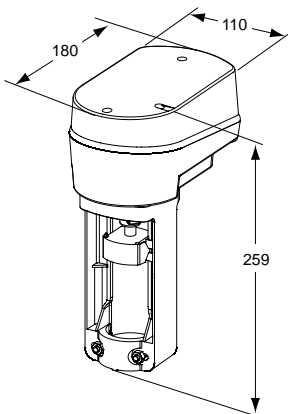
Installation

Wiring diagram:



- 1) Connection via safety isolating transformer
- 2) Control signal from controller
- 3) Measuring voltage U for position indication

Articles



24V AC/DC

Article No	Adjusting force	Kg
TA-NV24 50 358-020	1000 N	1,5
TA-NVG24 50 358-120	1600 N	1,5

The products, texts, photographs, graphics and diagrams in this document may be subject to alteration by TA Hydraulics without prior notice or reasons being given.

For the most up to date information about our products and specifications, please visit www.tahydraulics.com.

6-10-29 TA-NV24, TA-NVG24 11.2011