

# TSE-M

High performance proportional actuator



**TA**

Pressurisation & Water Quality › Balancing & Control › Thermostatic Control

ENGINEERING ADVANTAGE

A proportional actuator which, when used together with the TBV-CM, provides superbly accurate modulating control. High IP class for reliable operation and the unique design ensures long product lifetime.

> **Position indicator**

For straightforward maintenance.

> **M30X1.5 connection**

Compatible with all TA valves and floor heating manifolds with a M30x1,5 connection to the actuator.



## > Technical description

---

**Applications:**

For modulating control.

**Supply voltage:**

24V AC  $\pm 20\%$

Frequency 50-60 Hz

**Power consumption:**

Starting 6 W

During operation 3 W

Starting current 230 mA

Stand-by current 25 mA

**Control voltage:**

0-10 V / 10-0 V DC

2-10 V / 10-2 V DC

Ri  $\geq 800 \text{ k}\Omega$

**Control speed:**

30 s/mm

**Adjusting force:**

125 N

**Temperature:**

Max. ambient temperature: 50°C

Min. ambient temperature: -5°C

**Enclosure class:**

IP 42/44 depending on position.

**Cable:**

Cable length: 2 m alternatively 5 m.

Connection cable: 4 x 0,25 mm<sup>2</sup>. The cable is stripped 50 mm and each wire is isolated.

**Stroke:**

4,6 mm

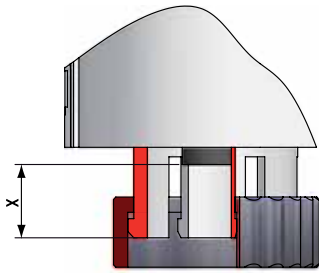
**Connection to valve:**

Retainer nut M30x1,5 of nickle plated brass.

**Colour:**

White RAL 9010

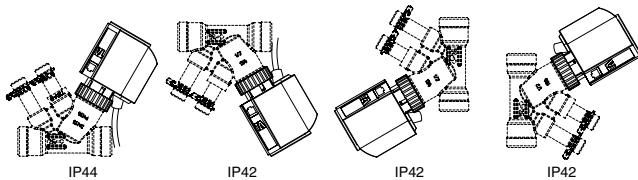
## Working range



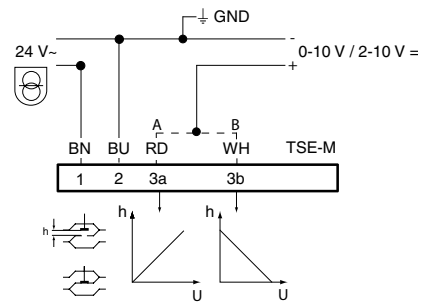
TSE-M is designed to be used together with TBV-CM.  
The actuator has a working range corresponding to  $X = 11,50 - 15,80$  mm.

## Installation

TSE-M + TBV-CM give the following enclosure class:

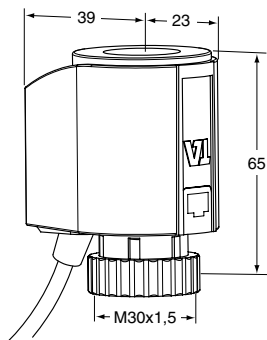


Wiring diagram:



h = percentage opening  
U = input signal

## Articles



### 24V AC

Article No	EAN	Cable length	Control voltage
<b>TSE-M NC (normally closed)</b>			
50 359-002	7318793955500	2 m	0-10 V
50 359-012	7318793955609	5 m	0-10 V
50 359-402	7318793977809	2 m	2-10 V
50 359-412	7318793977908	5 m	2-10 V

The products, texts, photographs, graphics and diagrams in this document may be subject to alteration by TA Hydraulics without prior notice or reasons being given.

For the most up to date information about our products and specifications, please visit [www.tahydraulics.com](http://www.tahydraulics.com).

1-10-20 TSE-M 03.2011

