

M106 actuator for Globo



Ball valves

For Globo ball valves from
DN 10 to DN 32

*Engineering
GREAT Solutions*

M106 actuator

Easy installation by change of the Globo operating toggle. Application e.g. for On/Off-control in heating or drinking water systems. The actuator is also suitable for ball valves with heat insulation shell.

Key features

- > **Easy subsequent installation**
By change of the Globo operating toggle
- > **Use for ON/OFF control with 230 V**
In heating or drinking water systems
- > **Suitable for use with IMI Heimeier insulation shells**
The actuator is outside of the insulation
- > **With handwheel**
In case of manual emergency actuation



Technical description

Applications area:

On/Off-control with Globo ball valves DN 10 - 32

Power supply:

230 V AC +6% – 10%

Frequency:

50/60 Hz ±5%.

Power consumption:

3,5 VA

Input signal:

3-point

Ingress protection:

IP 43

Protection class:

II, EN 60730

Temperature:

Medium temperature: max. 80°C
Ambient temperature 0°C to 50°C

Actuating time:

At 50 Hz/90°: 130s

End position switch-off:

Fixed at 90°

Angle of rotation:

90°

Operating mode:

S4-50% ED c/h 1200, EN 60034-1

Adjusting torque:

8 Nm

Cable:

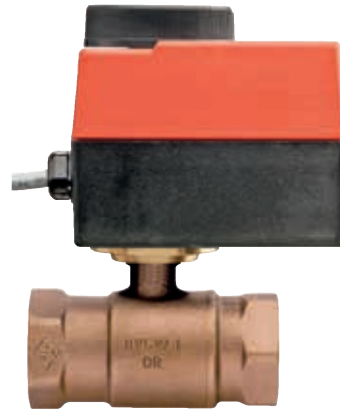
1,5 m, three wire (0,5 mm²) with wire end ferrule

Construction

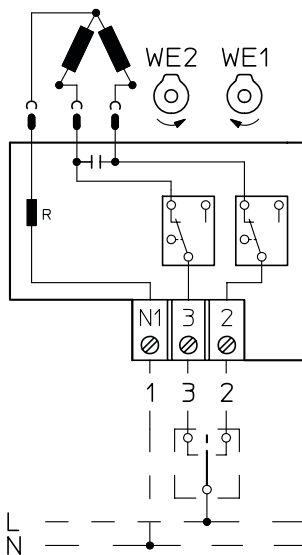
Globo ball valve



Globo ball valve with M106 actuator



Connection diagram



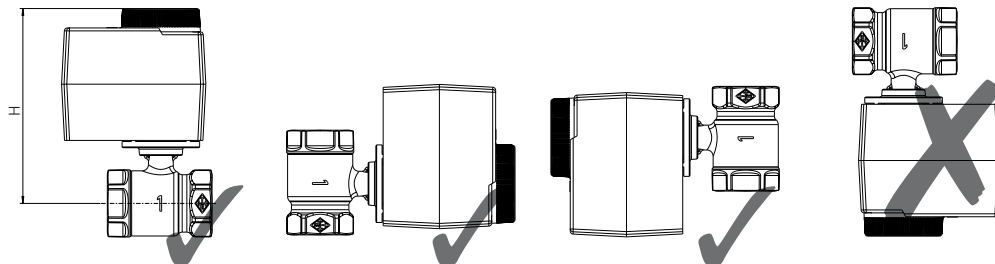
Installation

Enclosure protection:

IP 43
EN 60529

IP 43
EN 60529

IP 43
EN 60529

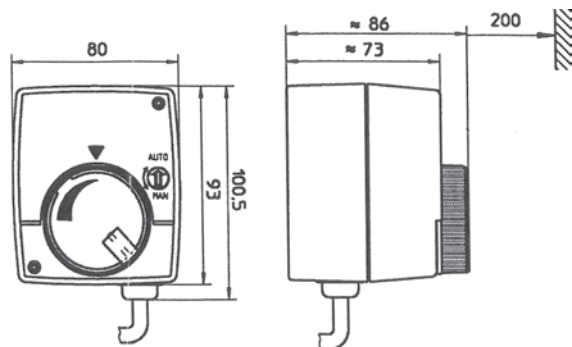


DN Globo	H
10	121,5
15	121,5
20	124,5
25	127
32	130,5

Articles

M106 actuator for Globo ball valves

DN 10 to DN 32



Power supply	EAN	Article No
230 V	4024052902811	0600-00.700

Delivery without ball valve.